

## Accommodation barge 91m

### General

Yard no.  
 Delivery date  
 Basic functions  
 Classification      BV (Bureau Veritas)

### Dimensions

Length o.a.      91.6 m  
 Beam o.a.      27.6 m  
 Depth at sides      6.00 m  
 Draught aft      4.5 m

### Tank capacities

Fuel oil      0  
 Ballast      0

### Performances (trials)

Speed      :0 knots

### Propulsion System

Main engines      : Non

### Deck lay-out

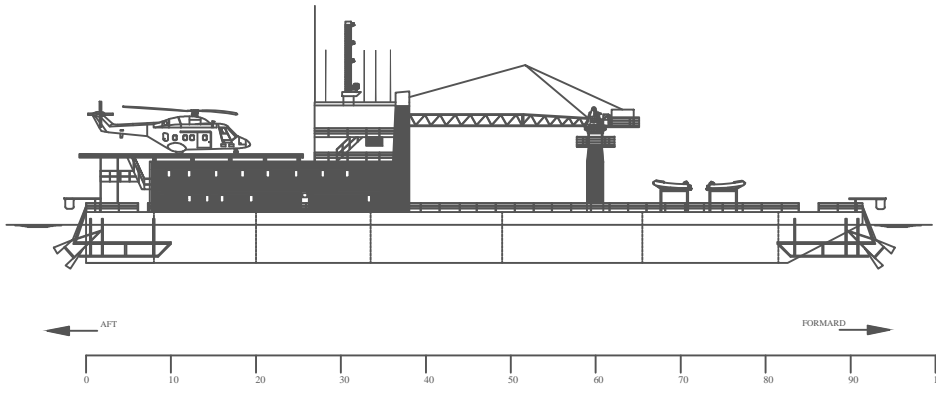
Crane      Yes

### Accommodation

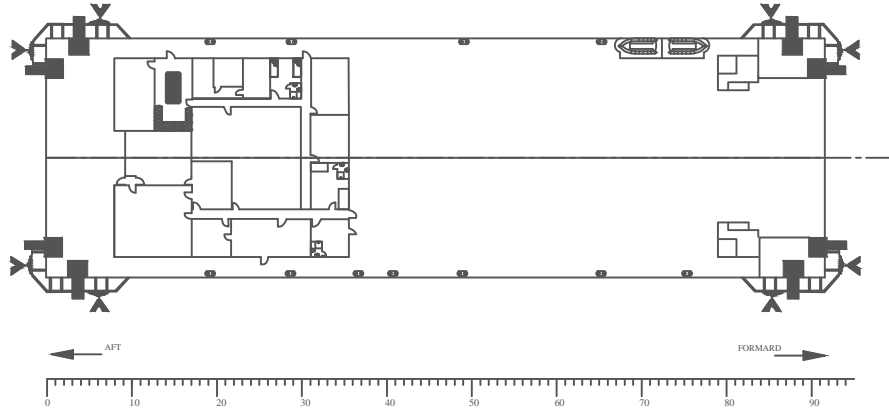
80 Persons

### Nautical and communication equipment

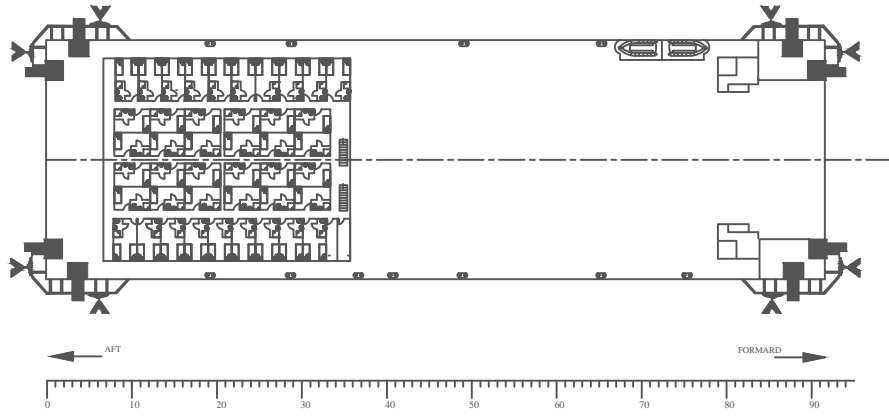
Radar      No  
 GPs      No  
 Echosounder      No  
 Navtex      No  
 VHF radio      No  
 SSB radio telephone      No



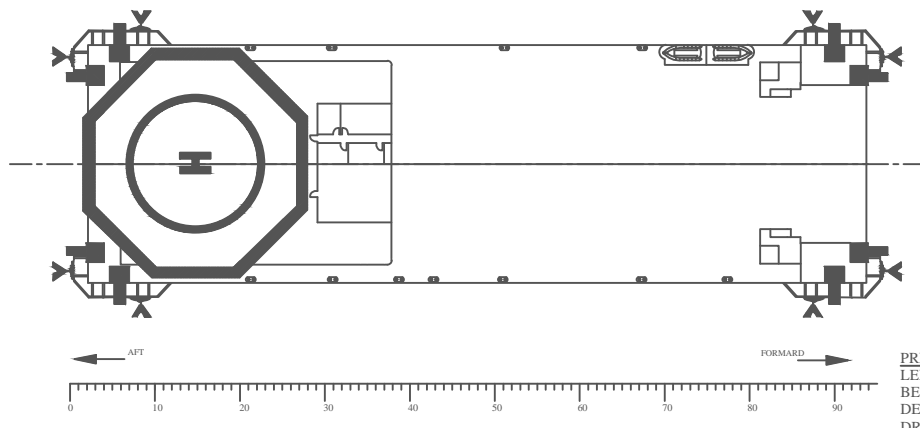
PROFILE (Starboard side)



LEVEL ONE (BARGE DECK LEVEL)




LEVEL TWO



LEVEL THREE

PRINCIPAL DIMENSIONS  
 LENGTH O.A (HULL) 91.6 m  
 BEAM 27.6 m  
 DEPTH 6.0 m  
 DRAFT 4.5m

 ACCOMMODATION - BARGE - 91.6		Project No. <b>AAM001001</b>	
		Date: <b>08-11-2014</b>	
Title: <b>GENERAL ARRANGEMENT</b>		Scale: <b>1:100</b>	
Drawing No. <b>001</b>		Date: <b>08-11-2014</b>	